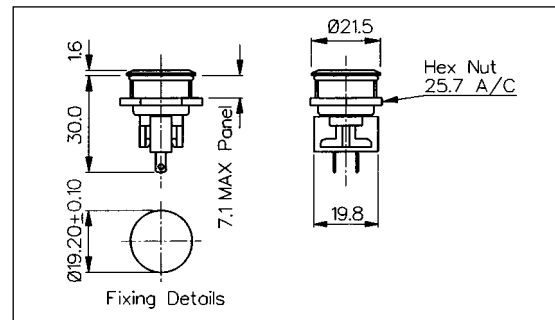


Stainless Steel Low Profile Vandal Resistant - Latching

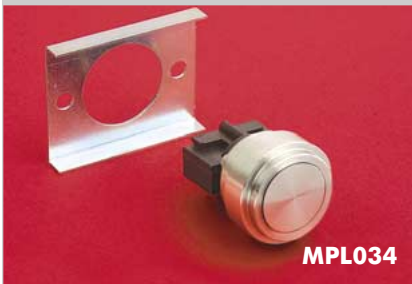
FRONT PANEL MOUNTING



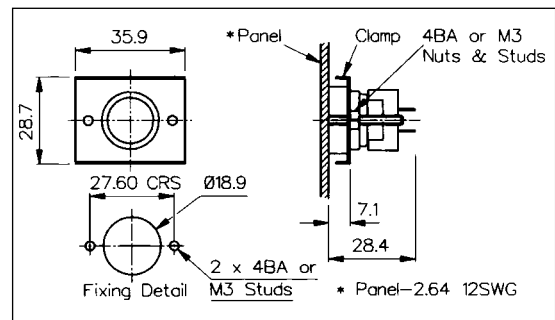
- Front Panel Sealed to IP66
- 21.5mm diameter
- 2A, 50V
- Single pole push to make
- Latching switch



REAR PANEL MOUNTING



- Rear Panel Mounting
- Flush with Panel
- 19mm diameter
- 2A, 50V
- Single pole push to make
- Latching switch



| Specification | MPL031 | MPL034 |
|--------------------------------|--|------------------------------------|
| Terminations: | Solder Tags | Solder Tags |
| Switching: | S.P.M.B. - Latching | S.P.M.B. - Latching |
| Max. Rating: | 2A, 50V | 2A, 50V |
| Contact Resistance: | <10mΩ | <10mΩ |
| Insulation Resistance: | >10 ³ MΩ | >10 ³ MΩ |
| Dielectric Strength: | >2.0kV a.c. | >2.0kV a.c. |
| Operating Temp. Range: | -20°C to +70°C | -20°C to +70°C |
| Sealing (Front of panel only): | Protection Classification: IP66 EN60529 1992 (Switch not sealed) | |
| Operations | | |
| Mechanical: | 8,000 (min) | 8,000 (min) |
| Electrical: | 8,000 (min) | 8,000 (min) |
| Operating Pressure: | 5.5N (typ) | 5.5N (typ) |
| Rear Nut Fixing Torque: | 0.57Nm | - |
| Materials | | |
| Mouldings: | Glass Filled Nylon | Glass Filled Nylon |
| Tags/Terminations: | Brass, Tin Plated | Brass, Tin Plated |
| Switch Body & Button: | Stainless Steel | Stainless Steel |
| Contacts: | Fine Silver | Fine Silver |
| Variants: | Engraved Button details on request | Engraved Button details on request |
| RoHS | Compliant | Compliant |