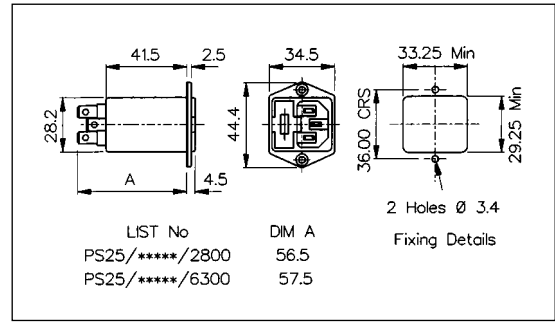


IEC Power Inlets Flange and Snap Fit (Twin Fused)

PANEL MOUNTING



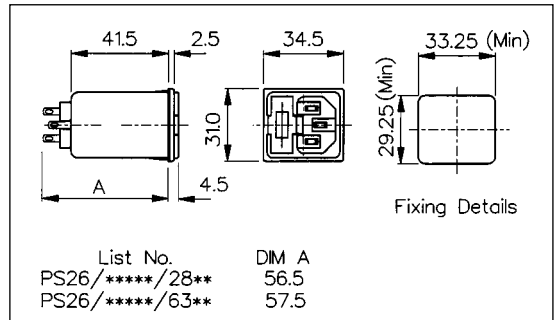
- 2 or 4 Amp Current Rating
- Twin Fused
- Optional Additional Components
- 2.8 or 6.3mm tabs



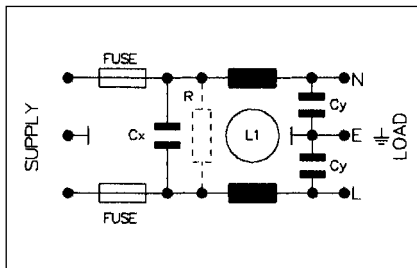
SNAP FIT



- 2 or 4 Amp Current Rating
- Twin Fused
- Optional Additional Components
- 2.8 or 6.3mm tabs
- 1, 1.5, 2 or 3mm panels



IEC CONNECTORS



PS25 or PS26/Axx 2x / xx xx

Series	Rating	L/C Circuit	Additional Components	Tag Type and Configuration	Panel Thickness
PS25/A	02 = 2A	2 = Version 2	0 = None	28 = 2.8mm	Blank = Flange
PS26/A	04 = 4A		1 = Bleed (R) Resistor	63 = 6.3mm tabs	10 = 1.0mm 15 = 1.5mm 20 = 2.0mm 30 = 3.0mm

Specification	PS25/Axx2x/xx00	PS26/Axx2x/xxxx	Part No. Example
Max. Working Voltage:	250V a.c. 50-400Hz	250V a.c. 50-400Hz	<p><b>PS25/A0420/28=</b></p> <p>PS25 series, flange fitting, standard filtered IEC power inlet, twin fused, rated at 4 amperes. L/C circuit version 2, i.e. L1 = 2 x 0.7mH, Cx = 1 x 15nF, Cy = 2 x 2.2nF Without bleed resistor fitted, with 2.8mm tabs.</p>
Max. Power Dissipation:	2.5W per fuse	2.5W per fuse	
Earth Leakage Current:	<0.35mA (250V, 50Hz)	<0.35mA (250V, 50Hz)	
Temperature Range:	-25°C to +85°C	-25°C to +85°C	
Max. Ambient Temp.: (@ Full Load)	40°C (derate linearly to 0A @ 85°C)	40°C (derate linearly to 0A @ 85°C)	
Test Voltage:	2700V d.c. 2 secs. Lines to Earth 1100V d.c. 2 secs. Live to Neutral	2700V d.c. 2 secs. Lines to Earth 1100V d.c. 2 secs. Live to Neutral	
Approvals:			
Mating Connectors:	PX0587, PX0587/SE, PX0588 PZ0100, PZ0200	PX0587, PX0587/SE, PX0588 PZ0100, PZ0200	
Accessories:	P.No. 14340 (see page 82)	P.No. 14340 (see page 82)	
<b>RoHS</b>	Compliant	Compliant	

**Rating & Version Table**  
**PS25/Axx2x/xx00 & PS26/Axx2x/xxxx**

Rating	Version	L1	Cx	Cy
2 AMP	1	2 x 1.8mH	1 x 15nF	2 x 2.2nF
"	2			
"	3			
4 AMP	1	2 x 0.7mH	1 x 15nF	2 x 2.2nF
"	2			
"	3			

**Version 2**

