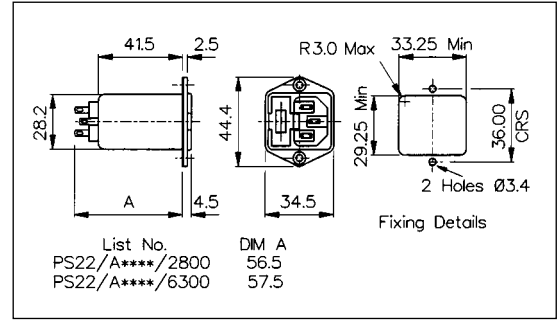


High Performance IEC Power Inlets Flange and Snap Fit (Single Fused)

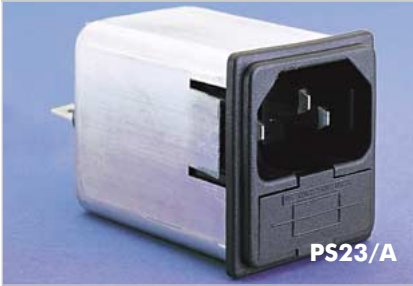
PANEL MOUNTING



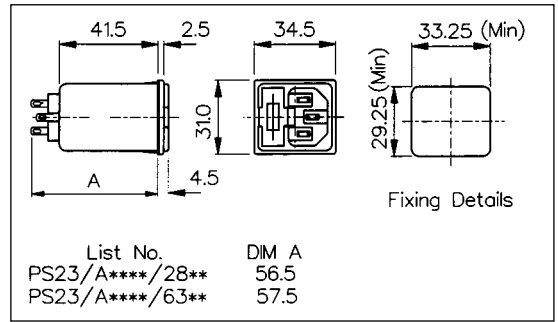
- 3 or 6 Amp Current Rating
- Single Fused
- High Performance
- 2.8 or 6.3mm tabs



SNAP FIT

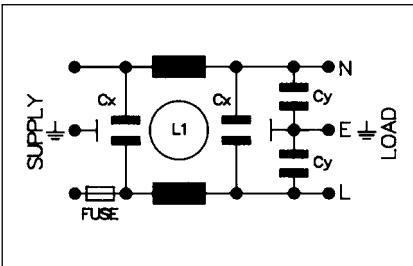


- 3 or 6 Amp Current Rating
- Single Fused
- High Performance
- 2.8 or 6.3mm tabs
- 1, 1.5, 2 or 3mm panels



IEC CONNECTORS

PS22 or PS23/Axx xx /xx xx



Series	Rating	L/C Circuit	Additional Components	Tag Type and Configuration	Panel Thickness
PS22/A	03 = 3A	3 = Version 3	0 = None	28 = 2.8mm	Blank = Flange
PS23/A	06 = 6A			63 = 6.3mm tabs	10 = 1.0mm 15 = 1.5mm 20 = 2.0mm 30 = 3.0mm

Specification	PS22/Axxx0/xx00	PS23/Axxx0/xxxx	Part No. Example
Max. Working Voltage:	250V a.c. 50-400Hz	250V a.c. 50-400Hz	PS22/A0630/63 = PS22 series, flange fitting, filtered IEC power inlet, single fused, rated at 6 amperes. L/C circuit version 3, i.e. L1 = 2 x 0.7mH, Cx = 1 x 47nF, Cy = 2 x 2.2nF. Without bleed resistor or surge protection device fitted, with 6.3mm tabs.
Earth Leakage Current:	<0.35mA (250V, 50Hz)	<0.35mA (250V, 50Hz)	
Temperature Range:	-25°C to +85°C	-25°C to +85°C	
Max. Ambient Temp.: (@ Full Load)	40°C (derate linearly to 0A @ 85°C)	40°C (derate linearly to 0A @ 85°C)	
Test Voltage:	2700V d.c. 2 secs. Lines to Earth 1100V d.c. 2 secs. Live to Neutral	2700V d.c. 2 secs. Lines to Earth 1100V d.c. 2 secs. Live to Neutral	
Approvals:			
Mating Connectors:	PX0587, PX0587/SE, PX0588 PZ0100, PZ0200	PX0587, PX0587/SE, PX0588 PZ0100, PZ0200	
Accessories:	P.No. 14340 (see page 82)	P.No. 14340 (see page 82)	
RoHS	Compliant	Compliant	

Rating & Version Table
PS22/Axx30/xx00 & PS23/Axx30/xxxx

Rating	Version	L1	Cx	Cy
3 AMP	1			
"	2			
"	3	2 x 1.8mH	2 x 47nF	2 x 2.2nF
6 AMP	1			
"	2			
"	3	2 x 0.7mH	2 x 47nF	2 x 2.2nF

Version 3

