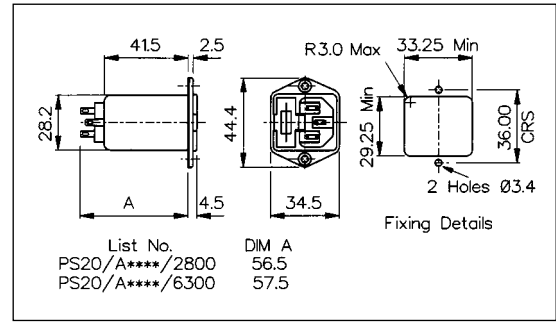


IEC Power Inlets (Single Fused)

PANEL MOUNTING



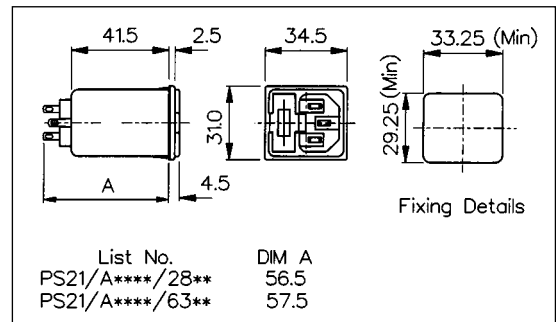
- 1, 3, or 6 Amp Current Rating
- Single Fused
- 2 Alternative Circuits
- 2.8 or 6.3mm tabs



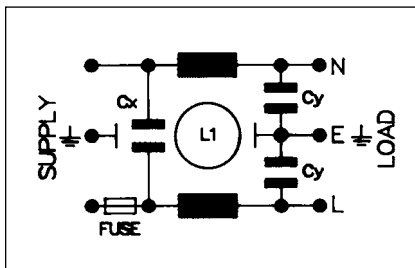
SNAP FIT



- 1, 3, or 6 Amp Current Rating
- Single Fused
- 2 Alternative Circuits
- 2.8 or 6.3mm tabs
- 1, 1.5, 2 or 3mm panels



IEC CONNECTORS



PS20 or PS21/Axx xx /xx xx

Series	Rating	L/C Circuit	Additional Components	Tag Type and Configuration	Panel Thickness
PS20/A	01 = 1A	3 = Version 3	0 = None	28 = 2.8mm	Blank = Flange
PS21/A	03 = 3A	2 = Version 2		63 = 6.3mm tabs	10 = 1.0mm
	06 = 6A	3 = Version 3			15 = 1.5mm
					20 = 2.0mm
					30 = 3.0mm

Specification	PS20/Axxx0/xx00	PS21/Axxx0/xxxx	Part No. Example
Max. Working Voltage:	250V a.c. 50-400Hz	250V a.c. 50-400Hz	PS20/A0620/63 = PS20 series, flange fitting, standard filtered IEC power inlet, single fused, rated at 6 amperes. L/C circuit version 2, i.e L1 = 2 x 0.7mH, Cx = 1 x 15nF, Cy = 2 x 2.2nF. Without bleed resistor or surge protection device fitted, with 6.3mm tabs.
Earth Leakage Current:	<0.35mA (250V, 50Hz)	<0.35mA (250V, 50Hz)	
Temperature Range:	-25°C to +85°C	-25°C to +85°C	
Max. Ambient Temp.: (@ Full Load)	40°C (derate linearly to 0A @ 85°C)	40°C (derate linearly to 0A @ 85°C)	
Test Voltage:	2700V d.c. 2 secs. Lines to Earth 1100V d.c. 2 secs. Live to Neutral	2700V d.c. 2 secs. Lines to Earth 1100V d.c. 2 secs. Live to Neutral	
Approvals:			
Mating Connectors:	PX0587, PX0587/SE, PX0588 PZ0100, PZ0200	PX0587, PX0587/SE, PX0588 PZ0100, PZ0200	
Accessories:	P.No. 14340 (see page 82)	P.No. 14340 (see page 82)	
RoHS	Compliant	Compliant	

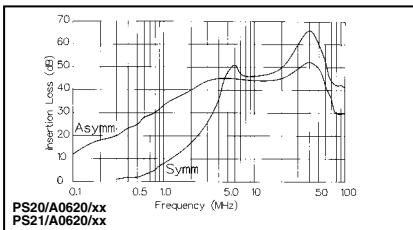
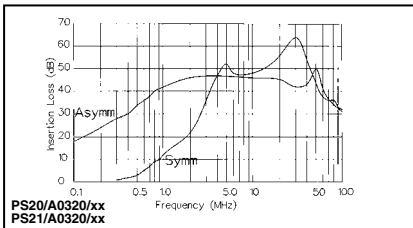
Rating & Version Table

PS20/Axxx0/xx00 & PS21/Axxx0/xxxx

Rating	Version	L1	Cx	Cy
1 AMP	1			
"	2			
"	3	2 x 10mH	1 x 47nF	2 x 2.2nF
3 AMP	1			
"	2	2 x 1.8mH	1 x 15nF	2 x 2.2nF
"	3	2 x 6.5mH	1 x 47nF	2 x 2.2nF
6 AMP	1			
"	2	2 x 0.7mH	1 x 15nF	2 x 2.2nF
"	3	2 x 2mH	1 x 47nF	2 x 2.2nF

IEC CONNECTORS

Version 2



Version 3

