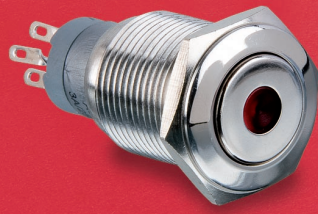


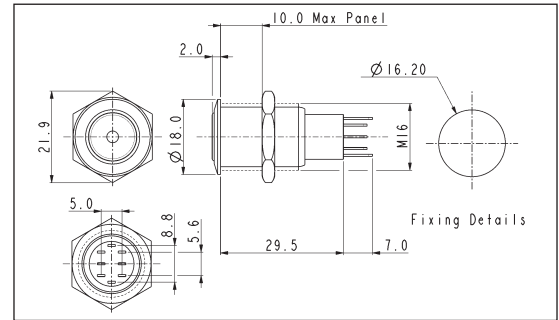
Stainless Steel Illuminated Latching

FRONT PANEL MOUNTING



MP0045/1E1

- Dot Illuminated
- 18mm bezel diameter
- D.P.C.O.
- 3A, 250V ac
- Red, Green, Amber or Blue Illumination
- Separate LED Terminals

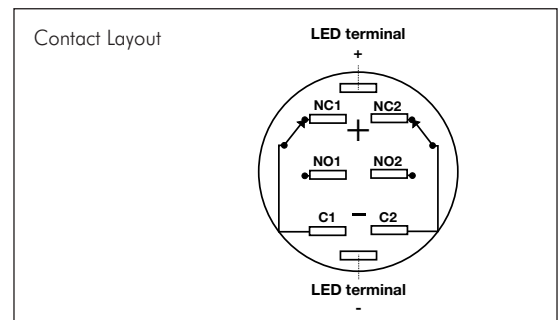
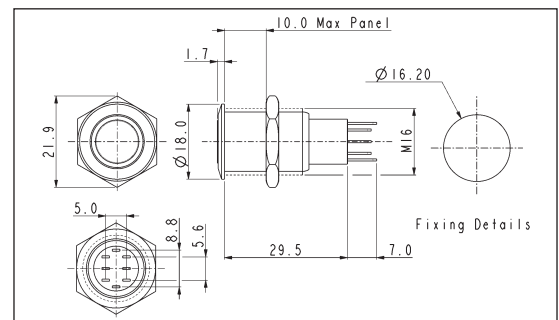


FRONT PANEL MOUNTING



MP0045/1E2

- Ring Illuminated
- 18mm bezel diameter
- D.P.C.O.
- 3A, 250V ac
- Red, Green, Amber or Blue Illumination
- Separate LED Terminals



| Specification | MP0045/1E1/Colour/Voltage | MP0045/1E2/Colour/Voltage |
|-------------------------|---|---|
| Terminations: | Solder Tags | Solder Tags |
| Illumination: | Dot | Ring |
| Switching: | D.P.C.O. Latching Action | D.P.C.O. Latching Action |
| Max. Switch Rating: | 3A, 250V a.c. | 3A, 250V a.c. |
| LEDs | | |
| Colours | Red /RD Green /GN Amber /AM Blue /BL | Red /RD Green /GN Amber /AM Blue /BL |
| Part No. | | |
| Voltage | 12V d.c. 220V d.c. | 12V d.c. 220V d.c. |
| Part No. | /012 /220 | /012 /220 |
| Contact Resistance: | 50mΩ max. @ 1A, 2V d.c. | 50mΩ max. @ 1A, 2V d.c. |
| Insulation Resistance: | >10 ³ MΩ @ 500V a.c. | >10 ³ MΩ @ 500V a.c. |
| Dielectric Strength: | >2.0kV a.c. | >2.0kV a.c. |
| Operating Temp. Range: | -30°C to +55°C | -30°C to +55°C |
| Operations | | |
| Mechanical: | 200,000 (min) | 200,000 (min) |
| Electrical: | 30,000 (min) | 30,000 (min) |
| Rear Nut Fixing Torque: | 12Nm | 12Nm |
| Materials | | |
| Mouldings: | Nylon | Nylon |
| Tags: | Brass, Silver Plated | Brass, Silver Plated |
| Switch Body & Button: | Stainless Steel (Polished) | Stainless Steel (Polished) |
| O ring: | Nitrile | Nitrile |
| Variants | Prominent Button, details on request | Prominent Button, details on request |
| RoHS | Compliant | Compliant |