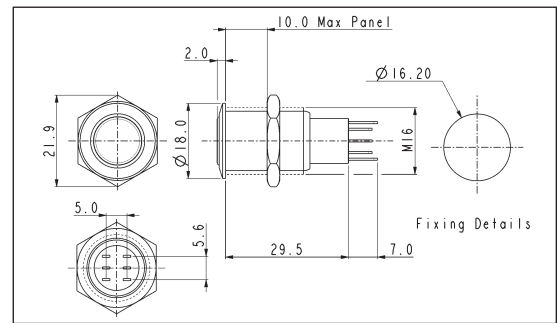


Stainless Steel - Momentary

LOW PROFILE



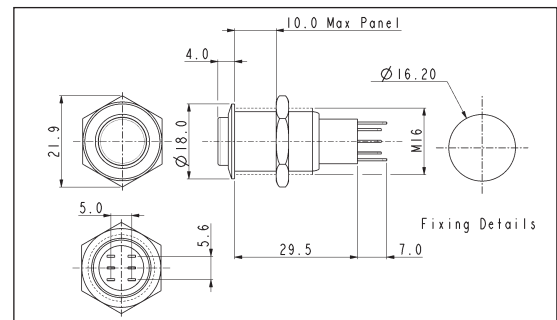
- 18mm bezel diameter
- 16mm fixing hole diameter
- D.P.C.O
- 3A, 250V



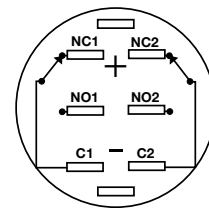
PROMINENT BUTTON



- 18mm bezel diameter
- 16mm fixing hole diameter
- D.P.C.O
- 3A, 250V



Contact Layout



Specification	MP0045/1D0NN000	MP0045/3D0NN000
Terminations:	Solder tags	Solder Tags
Switching:	D.P.C.O Momentary Action	D.P.C.O Momentary Action
Max. Rating:	3A, 250V	3A, 250V
Contact Resistance:	50mΩ max. @ 1A, 2V	50mΩ max. @ 1A, 2V
Insulation Resistance:	>10 ³ MΩ @ 500V d.c.	>10 ³ MΩ @ 500V d.c.
Dielectric Strength:	> 2.0kV a.c.	> 2.0kV a.c.
Operating Temp. Range:	-20°C to +55°C	-20°C to +55°C
Operations		
Mechanical:	200,000 (min)	200,000 (min)
Electrical:	30,000 (min)	30,000 (min)
Rear Nut Fixing Torque:	12Nm max.	12Nm max.
Materials		
Mouldings:	Nylon	Nylon
Tags/Terminations:	Brass, Silver Plated	Brass, Silver Plated
Switch Body & Button:	Stainless Steel	Stainless Steel
Contacts:	Silver	Silver
Variants:	Nickel Plated Brass version available details on request	Nickel Plated Brass version available details on request
RoHS	Compliant	Compliant