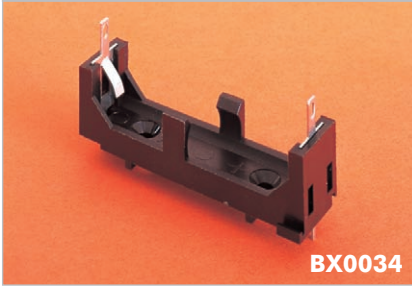
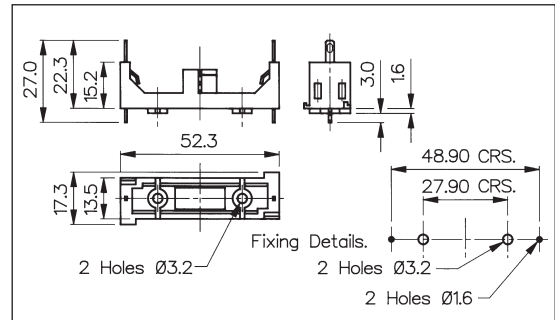


## PC/Base Mounting

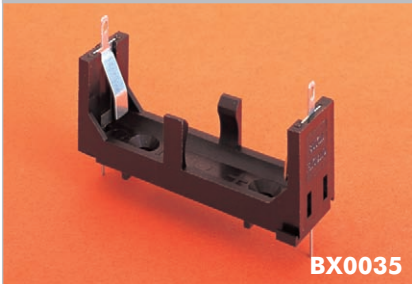
### AAA SIZE BATTERY HOLDER


**BX0034**

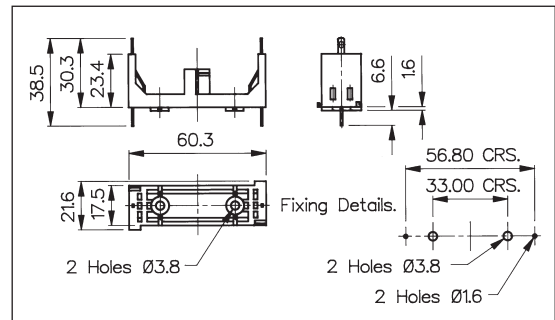
- 1 Cell
- PC/Base Mount
- Open style



### AA SIZE BATTERY HOLDER


**BX0035**

- 1 Cell
- PC/Base Mount
- Open style



Specification	BX0034	BX0035
Battery/Cell Type:	AAA (R03)	AA (R6)
No. Cells:	1 cell	1 cell
Terminations:	Dual connections, P.C. spills & 2.8 series tabs/solder tags. (P.C. spills may be removed if required)	Dual connections, P.C. spills & 2.8 series tabs/solder tags. (P.C. spills may be removed if required)
Operating Temperature:	-30°C to +70°C	-30°C to +70°C
Mouldings:	Glass Filled Nylon	Glass Filled Nylon
Contacts:	Nickel Silver, clean	Nickel Silver, clean
Features:	Interlocking for multiple assemblies	Interlocking for multiple assemblies
RoHS	Compliant	Compliant